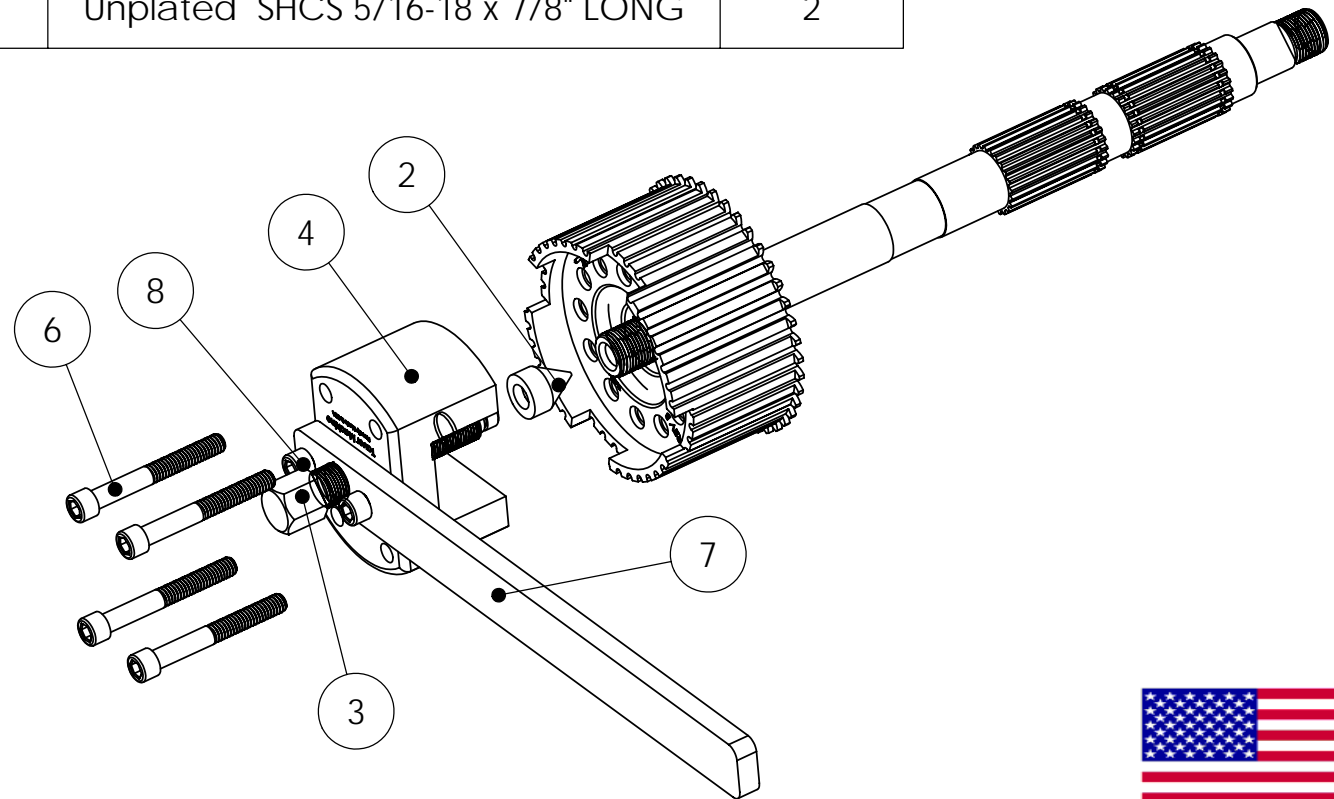


ITEM NO.	PART NUMBER	DESCRIPTION	QTY.
2	TMT-103	Harden tip for Puller	1
3	PB-0636-20-3000	3" Puller Bolt	1
4	PT-001	Puller	1
6	USH-312-18-2500	Unplated 5/16 x 2.5 " LONG	4
7	PT-004	Puller Handle	1
8	USH-312-18-0875	Unplated SHCS 5/16-18 x 7/8" LONG	2



www.tauermachine.com



Tauer Machine

1043 Southbend Ave
Mankato, MN 56001
507.345.8455 phone
507.345.8479 fax
e-mail= tmsales@tauermachine.com

TITLE:

Clutch Hub Puller

2/20/2007

DWG. NO.

TMCP100

REV