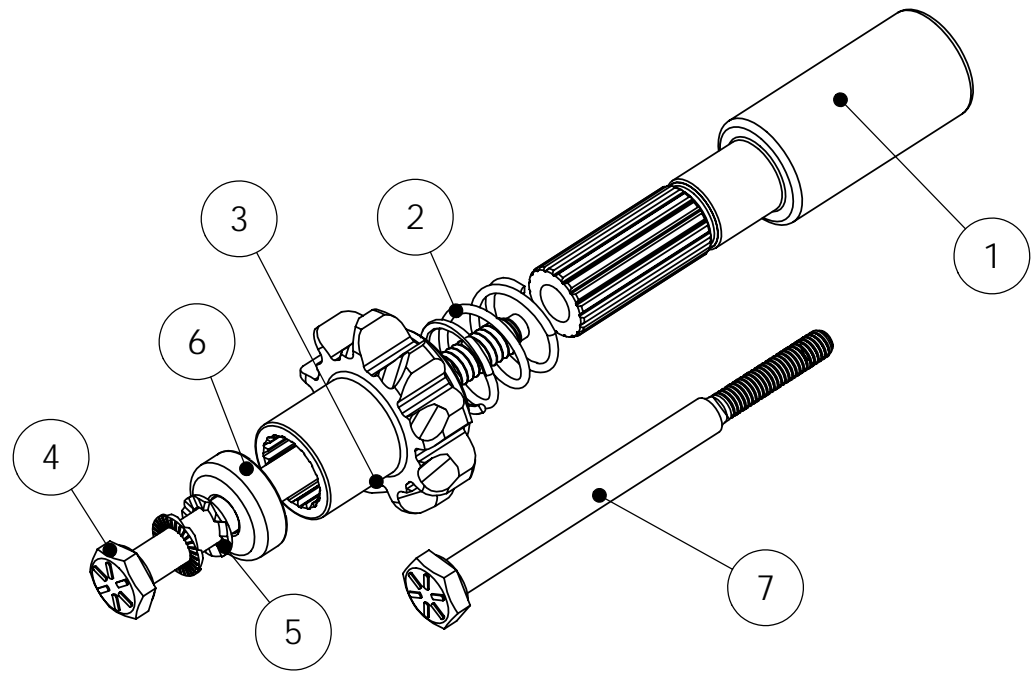


ITEM NO.	PART NUMBER	DESCRIPTION	QTY.
1	TM3072-1	Main Jackshaft	1
2	S055-0630-0585	Spring	1
3	TM3072-2	STARTER JACK SHAFT	1
4	ZCS-0250-20-3250	Cap Screw 1/4-20 by 3.250 long	1
5	YZW-0250-VR	Vibration-Resistant Lock Washer	2
6	TM3072-3	End Locking Cap	1
7	ZCS-10-32-3250-M	Cap Screw 10-32 by 3.250 long Modify	1



3-pc Starter Jackshaft Assembly

TM3072



TAUER MACHINE