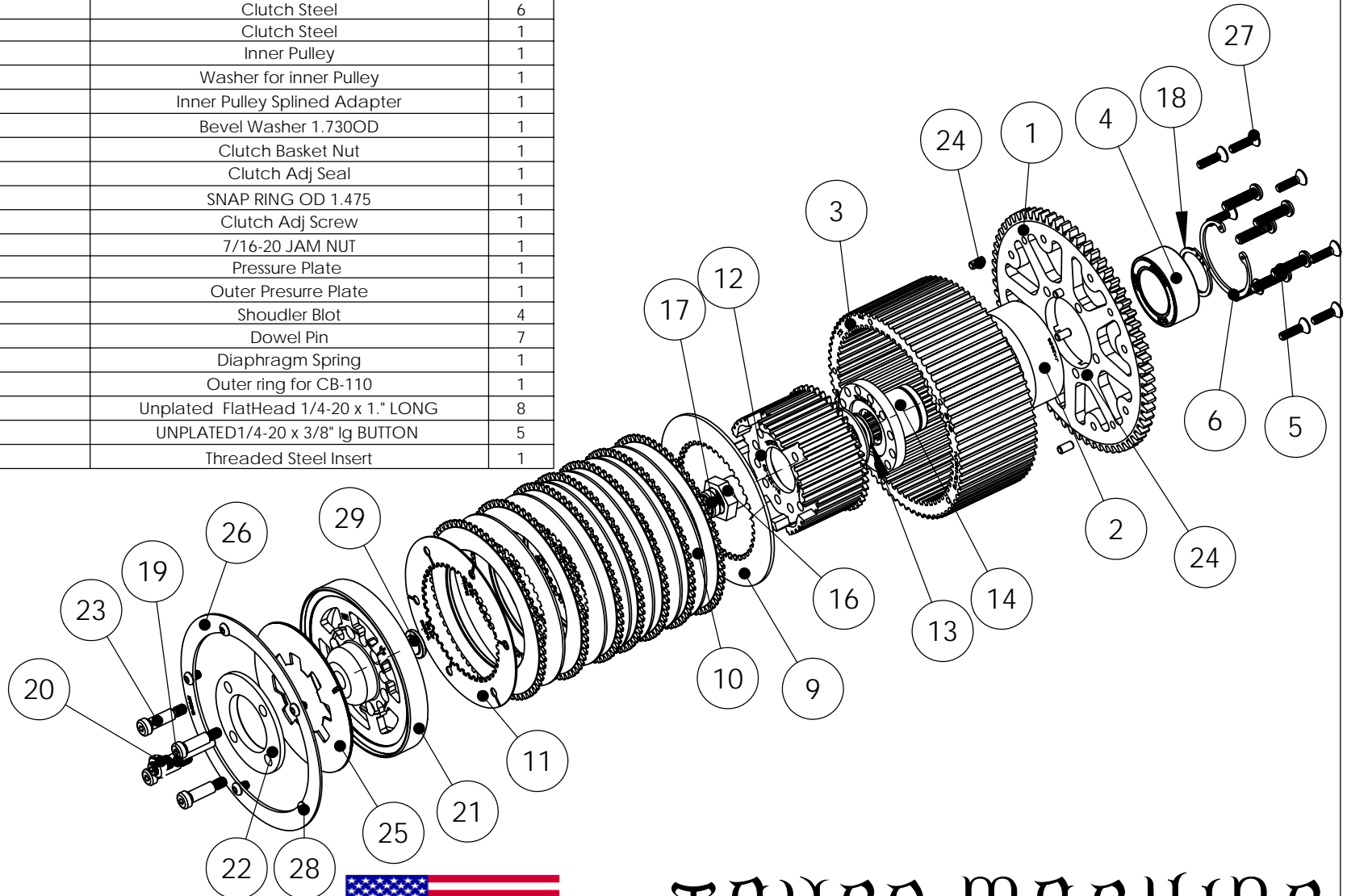


ITEM NO.	PART NUMBER	DESCRIPTION	QTY.
1	TM3281-REVB	Ring Gear	1
2	TM3282	Basket Hub	1
3	TM3241-Rev B	73t - Pulley- 8mm	1
4	SB-40BGS11G-2DS	Double Roller Bearing	1
5	SSB-312-18-1250	Button Head 5/16-18-- 1.250 long	5
6	SRID-2656	SNAP RING ID 2.656	1
9	TM3225	Clutch Steel	1
10	TM3221	Clutch Steel	6
11	TM3222	Clutch Steel	1
12	TM3255	Inner Pulley	1
13	TM3262	Washer for inner Pulley	1
14	TM3265	Inner Pulley Splined Adapter	1
15	TM3263	Bevel Washer 1.730OD	1
16	TM3050	Clutch Basket Nut	1
17	TRNUSL-100	Clutch Adj Seal	1
18	SROD-1475	SNAP RING OD 1.475	1
19	TM3040	Clutch Adj Screw	1
20	CZJN-0437-20	7/16-20 JAM NUT	1
21	TM3381	Pressure Plate	1
22	TM3259	Outer Presurre Plate	1
23	SHB-375-1000	Shoudler Blot	4
24	SDP-0250-0500	Dowel Pin	7
25	TM-DS-001	Diaphragm Spring	1
26	TM3361	Outer ring for CB-110	1
27	UPF-250-20-1000	Unplated FlatHead 1/4-20 x 1." LONG	8
28	UBH-250-20-0375	UNPLATED1/4-20 x 3/8" lg BUTTON	5
29	IN-P-0437-20	Threaded Steel Insert	1

Used with the Warlord Drives  
Backing Plate label TM-BP-110L  
check under stater cap.



CB-110-Rev B exploded view



**TAUER MACHINE**  
www.tauermachine.com  
888-345-2135