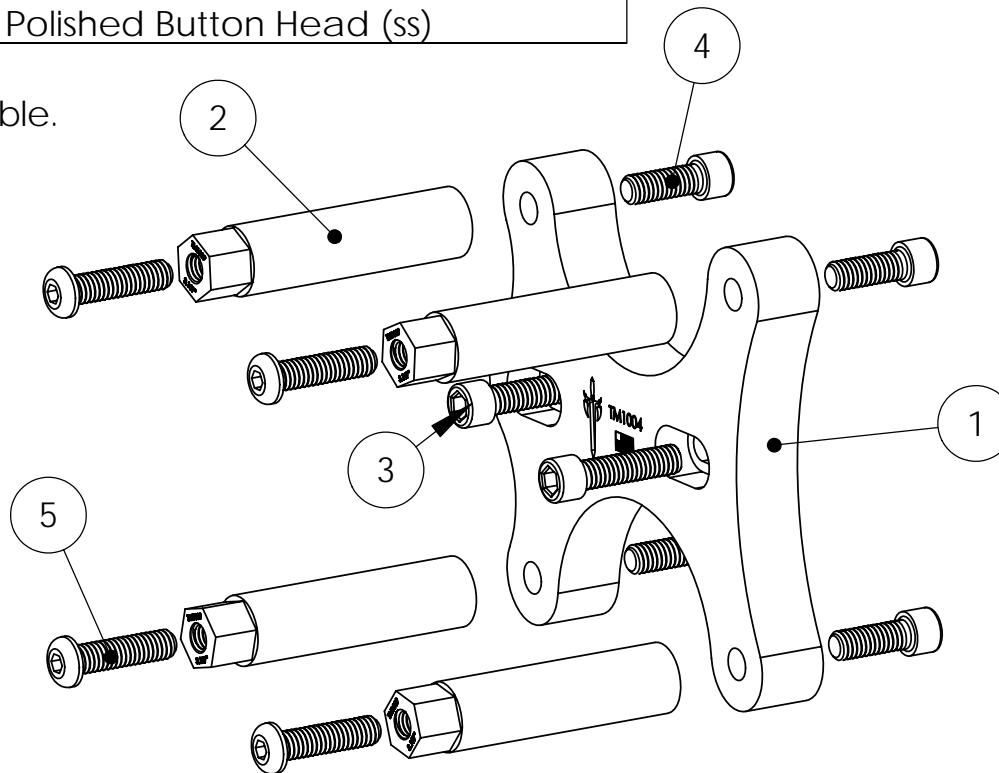


ITEM NO.	QTY.	PART NO.	DESCRIPTION
1	1	TM1004	Backing plate
2	4	TM-1009	Stand Off for Belt Guard only
3	2	USH-312-18-1250	Unplated 5/16-18 x 1-1/4" LONG
4	4	USH-312-18-0875	Unplated SHCS 5/16-18 x 7/8" LONG
5	4	PSSB-312-18-1250	Polished Button Head (ss)

Note: Use Red Lockite to assemble.



www.tauermachine.com



Tauer Machine
 1043 Southbend Ave
 Mankato, MN 56001
 507.345.2135 phone
 507.345.8479 fax

TITLE:

PRIMO ADAPTER

2/21/2007

DWG. NO.

PB4100

REV
1