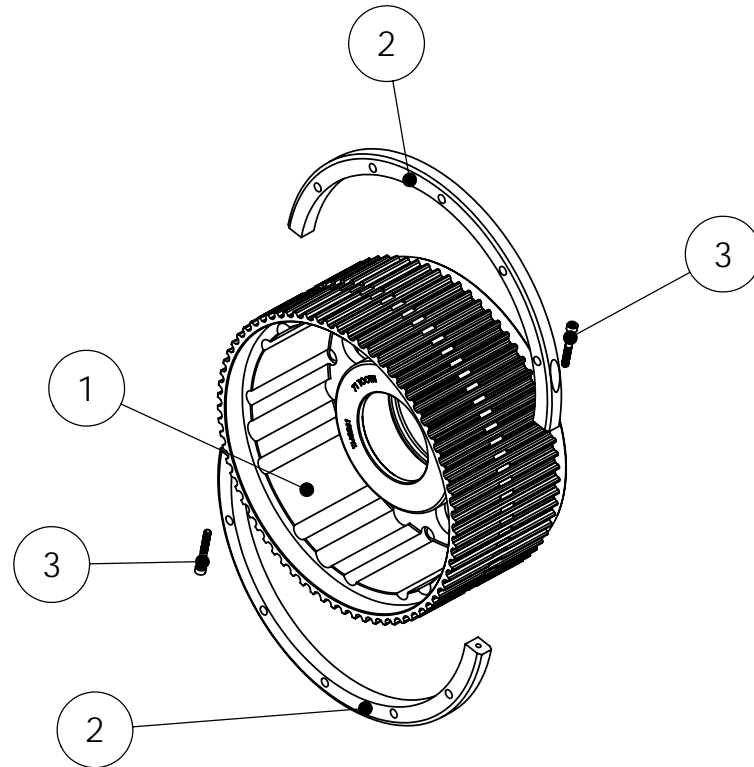


ITEM NO.	PART NUMBER	DESCRIPTION	QTY.
1	TM3231-SP	Renegade Clutch Hub with Split Groove	1
2	TM3420	Renegade Rear Split Collar	2
3	USS-6-32-1000	STAINLESS 6-32 SHCS by 1" long	2



[www.tauermachine.com](http://www.tauermachine.com)



## Tauer Machine

1043 Southbend Ave  
Mankato, MN 56001  
507.345.2135 phone  
507.345.8479 fax

TITLE:

Renegade Split Rear Pulley

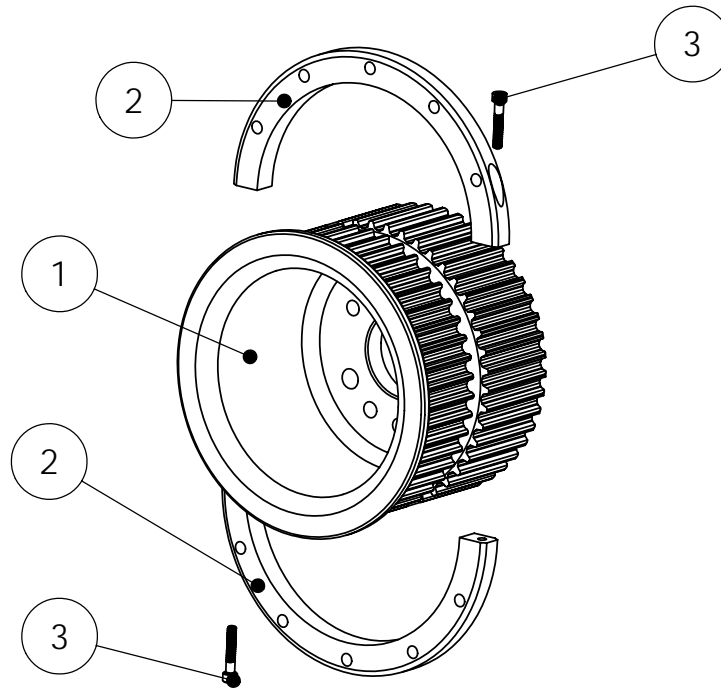
2/21/2007

DWG. NO.

RRS-3420

REV

ITEM NO.	PART NUMBER	DESCRIPTION	QTY.
1	TM3062-SP	CUT GROOVE FOR SPLIT RING	1
2	TM3431	Renegade Front Split Collar	2
3	USS-6-32-0750	STAINLESS 6-32 SHCS by 3/4" long	2



[www.tauermachine.com](http://www.tauermachine.com)



## Tauer Machine

1043 Southbend Ave  
Mankato, MN 56001  
507.345.2135 phone  
507.345.8479 fax

TITLE:

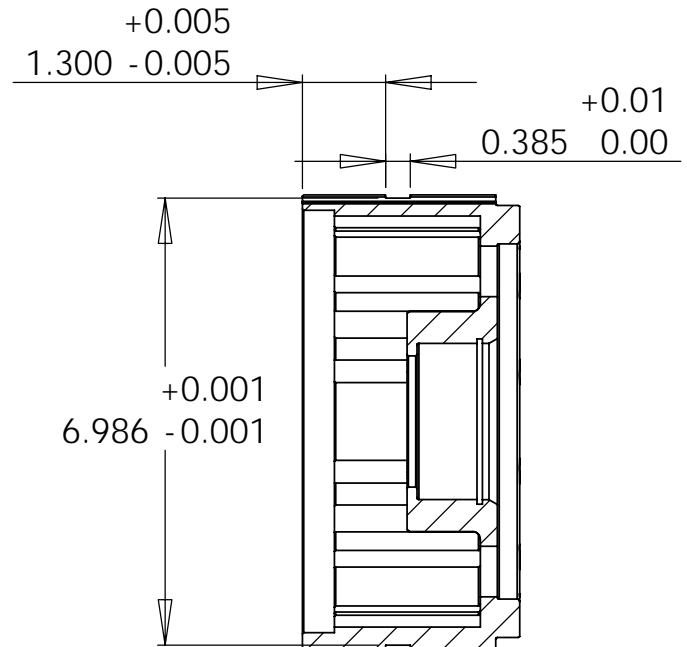
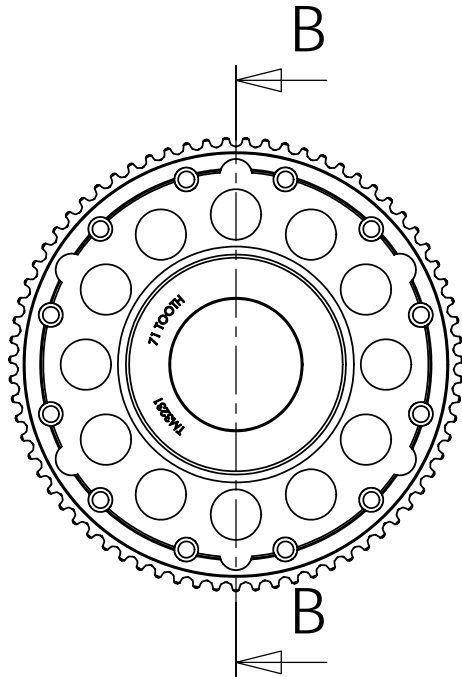
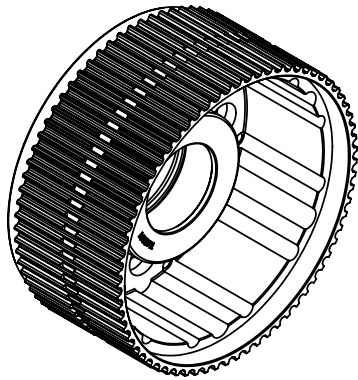
Renegade Split Front Pulley

2/21/2007

DWG. NO.

RRS-3062

REV



SECTION  
SCALE 1



[www.tauermachine.com](http://www.tauermachine.com)

## Tauer Machine

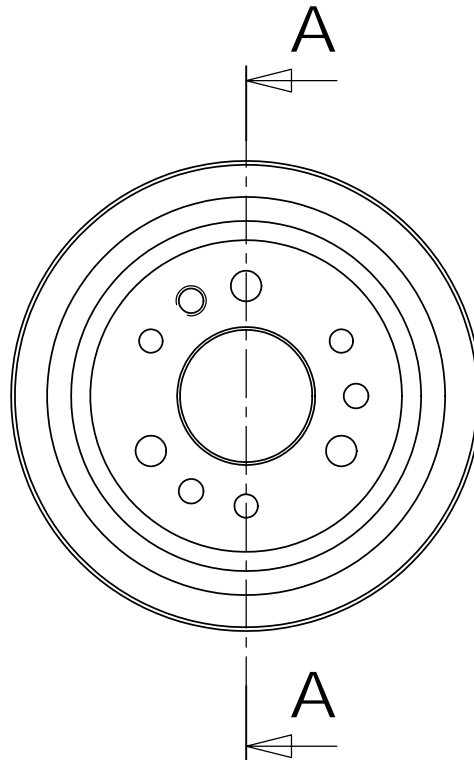
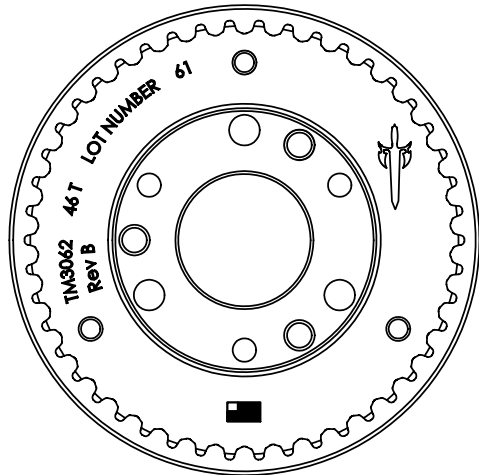
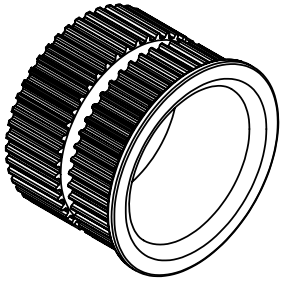
1043 Southbend Ave  
 Mankato, MN 56001  
 507.345.8455 phone  
 507.345.8479 fax  
 e-mail= sales@tauermachine.com

TITLE:

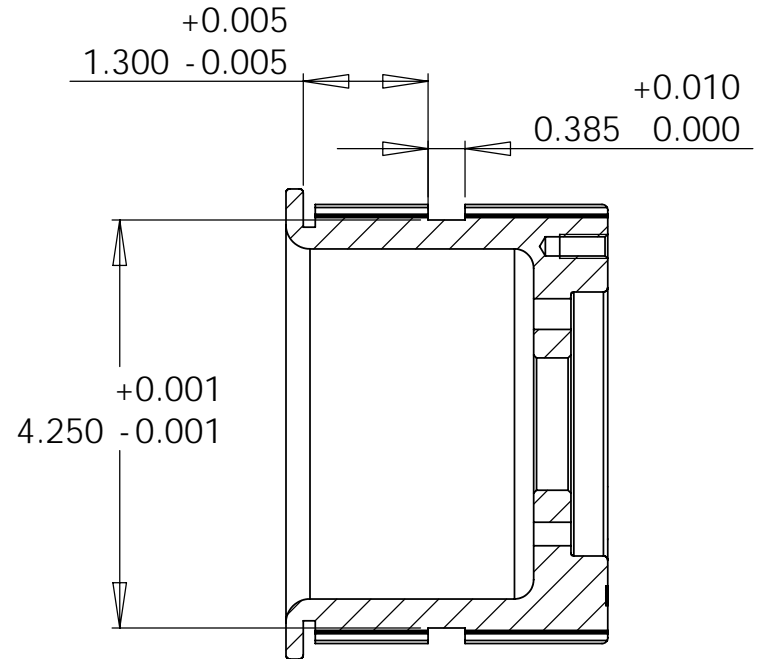
2/21/2007

DWG. NO. **TM3231-SP**

REV  
**1**



SECTION A-A  
SCALE 1 : 2



[www.tauermachine.com](http://www.tauermachine.com)



### Tauer Machine

1043 Southbend Ave  
Mankato, MN 56001  
507.345.8455 phone  
507.345.8479 fax  
e-mail= sales@tauermachine.com

TITLE:

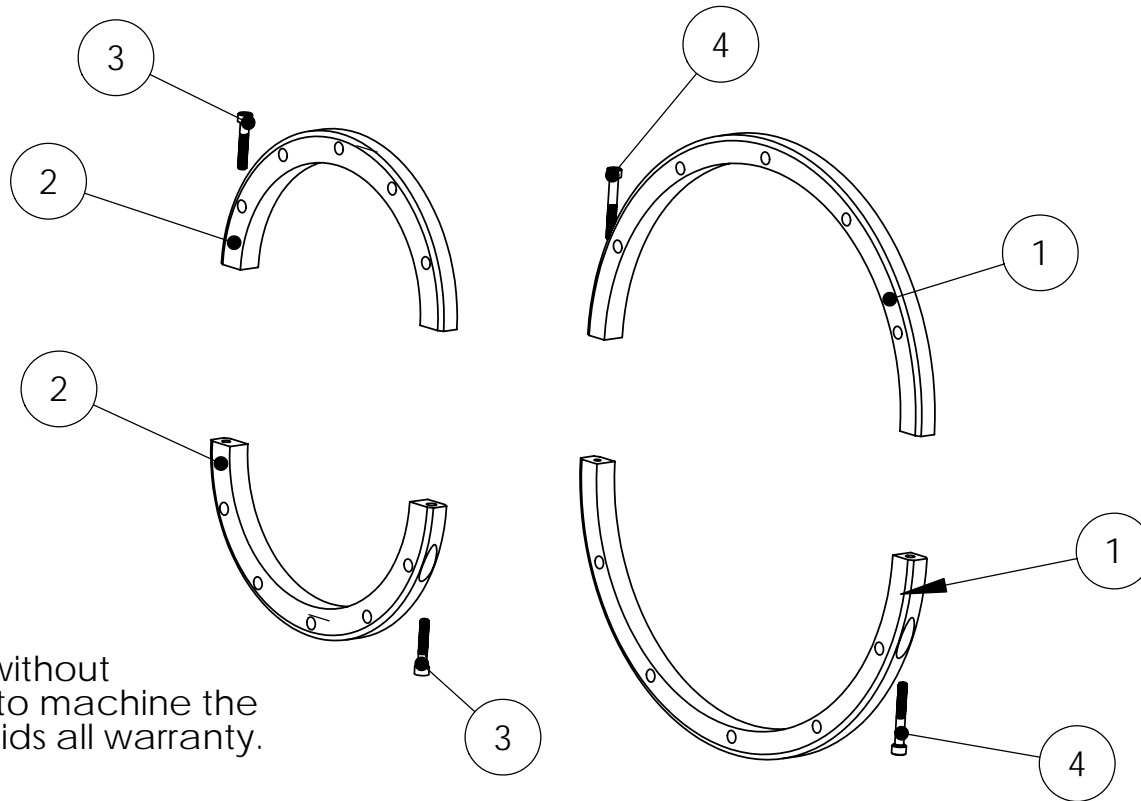
CUT GROOVE FOR SPLIT RING

2/21/2007

DWG. NO. **TM3062-SP**

REV **1**

ITEM NO.	PART NUMBER	DESCRIPTION	QTY.
1	TM3421	Renegade Rear Split Collar	2
2	TM3431	Renegade Front Split Collar	2
3	USS-6-32-0750	STAINLESS 6-32 SHCS by 3/4" long	2
4	USS-6-32-1000	STAINLESS 6-32 SHCS by 1" long	2



If your purchasing these without the pulleys you will need to machine the pulleys yourself. Which voids all warranty.

[www.tauermachine.com](http://www.tauermachine.com)



**Tauer Machine**  
 1043 Southbend Ave  
 Mankato, MN 56001  
 507.345.2135 phone  
 507.345.8479 fax

TITLE:  
 Renegade Split Ring Kit

2/21/2007

DWG. NO. **KSP-RE-001**

REV

