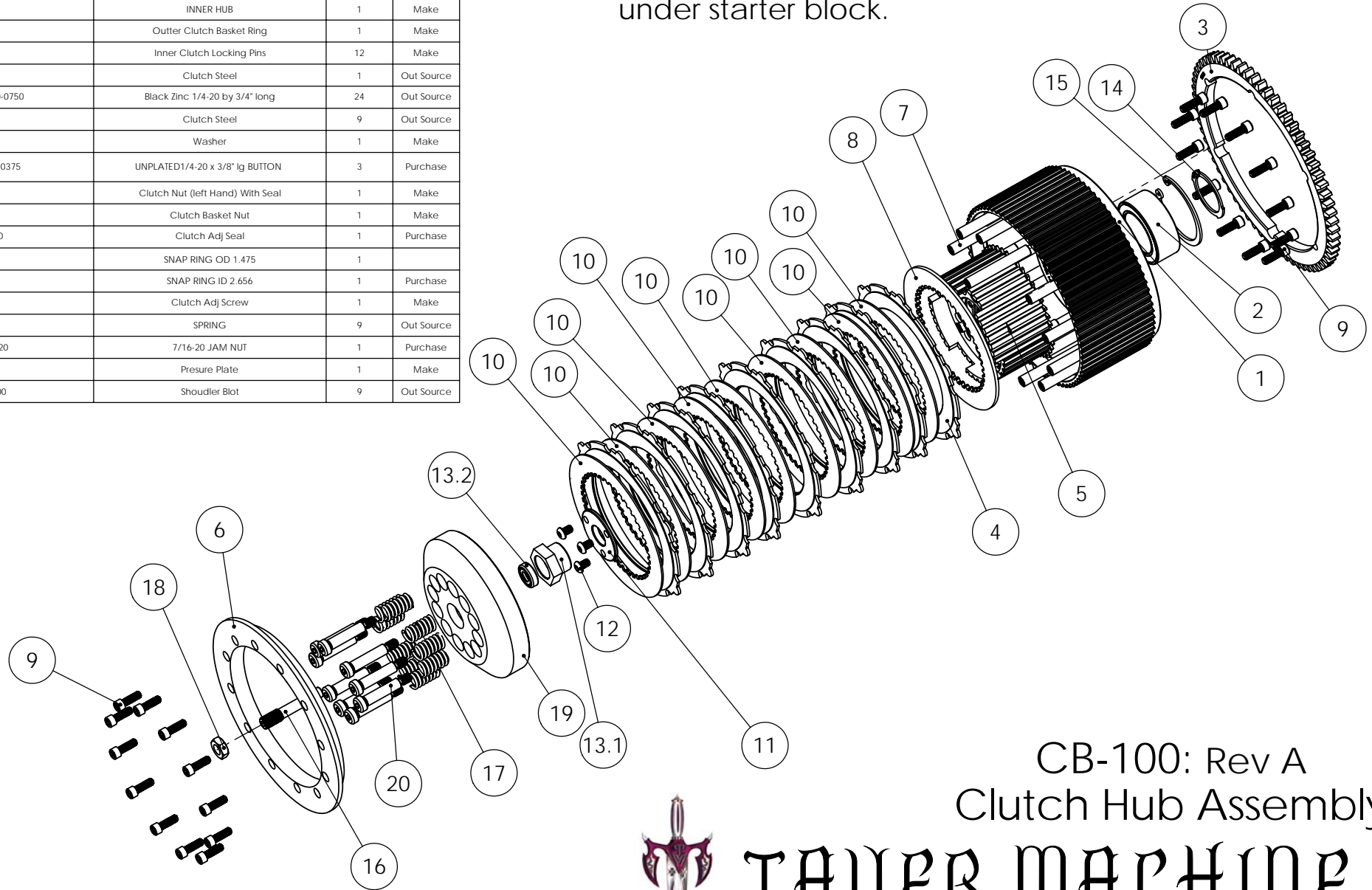


ITEM NO.	PART NUMBER	DESCRIPTION	QTY.	Source
1	TM3231	71t Clutch Pulley	1	Make
2	SB-40BGS11G-2DS	Double Roller Bearing	1	Purchase
3	TM3271	Ring Gear	1	Make
4	TM3192	TM CLUTCH PLATE	9	Out Source
5	TM3251	INNER HUB	1	Make
6	TM3360	Outter Clutch Basket Ring	1	Make
7	TM3350	Inner Clutch Locking Pins	12	Make
8	TM3215	Clutch Steel	1	Out Source
9	BZSH-250-20-0750	Black Zinc 1/4-20 by 3/4" long	24	Out Source
10	TM3210	Clutch Steel	9	Out Source
11	TM3261	Washer	1	Make
12	UBH-250-20-0375	UNPLATED1/4-20 x 3/8" lg BUTTON	3	Purchase
13	TM100	Clutch Nut (left Hand) With Seal	1	Make
13.1	TM3050	Clutch Basket Nut	1	Make
13.2	TRNUSL-100	Clutch Adj Seal	1	Purchase
14	SROD-1475	SNAP RING OD 1.475	1	
15	SRID-2656	SNAP RING ID 2.656	1	Purchase
16	TM3040	Clutch Adj Screw	1	Make
17	CZSP1375	SPRING	9	Out Source
18	CZJN-0437-20	7/16-20 JAM NUT	1	Purchase
19	TM3370	Presure Plate	1	Make
20	SHB-375-1500	Shoudler Blot	9	Out Source

# CB-100 (Coil Spring Clutch Hub)

Used with 780 Renegade Drive Setups.  
Check backing plate for engraved 780 number under starter block.



CB-100: Rev A  
Clutch Hub Assembly

# TAUER MACHINE



2/15/2007