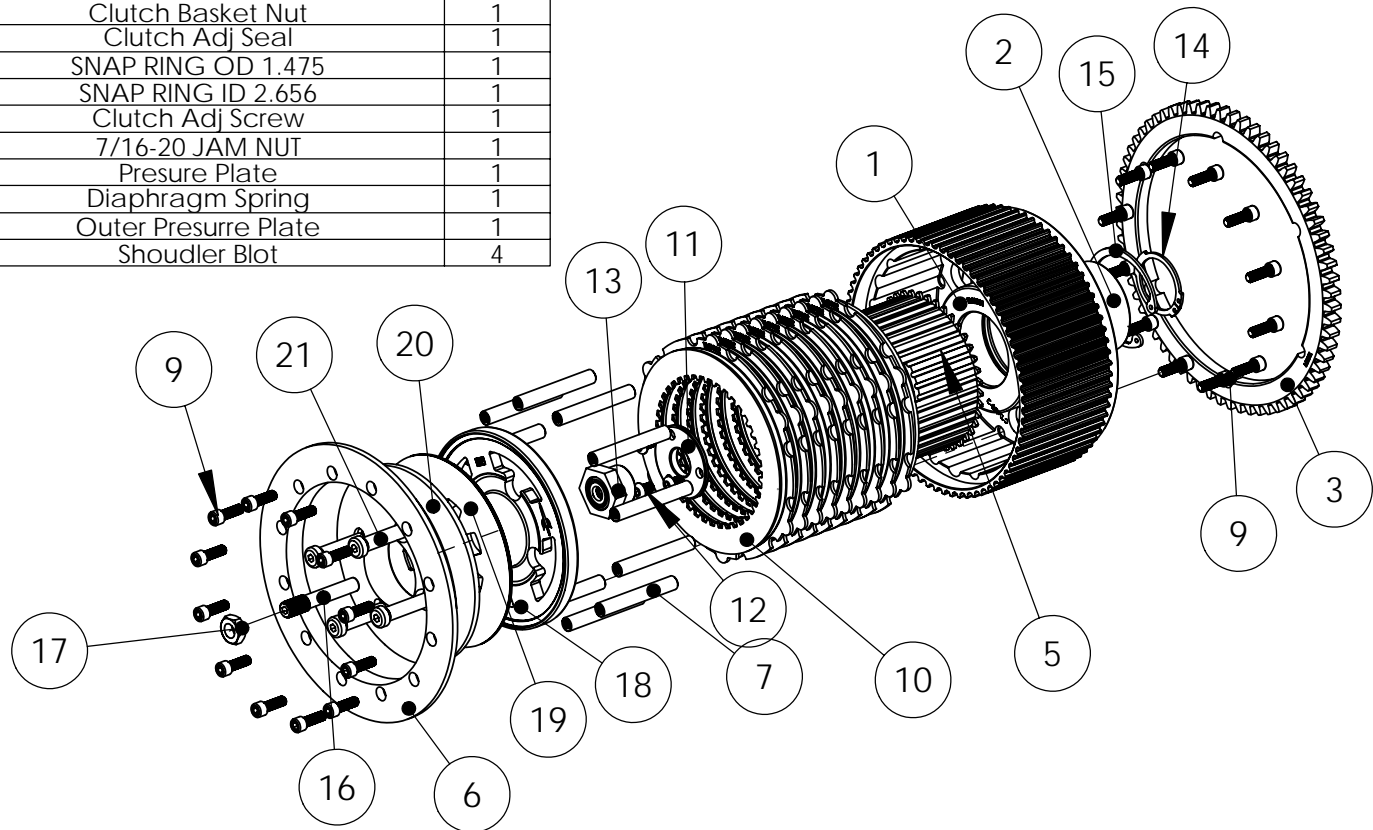


ITEM NO.	PART NUMBER	DESCRIPTION	QTY.
1	TM3231	71t Clutch Pulley	1
2	SB-40BGS11G-2DS	Double Roller Bearing	1
3	TM3271	Ring Gear	1
4	TM3192	TM CLUTCH PLATE	9
	TM3192P	Alum Clutch Plate Blank	1
	TM3191	Kevlar Cluth Fibre Plate	2
5	TM3251	INNER HUB	1
6	TM3360	Outer Clutch Basket Ring	1
7	TM3350	Inner Clutch Locking Pins	12
8	TM3215	Clutch Steel	1
9	BZSH-250-20-0750	Black Zinc 1/4-20 by 3/4" long	24
10	TM3210	Clutch Steel	9
11	TM3261	Washer	1
12	UBH-250-20-0375	UNPLATED1/4-20 x 3/8" lg BUTTON	3
13	TM100	Clutch Nut (left Hand) With Seal	1
	TM3050	Clutch Basket Nut	1
	TRNUSL-100	Clutch Adj Seal	1
14	SROD-1475	SNAP RING OD 1.475	1
15	SRID-2656	SNAP RING ID 2.656	1
16	TM3040	Clutch Adj Screw	1
17	CZJN-0437-20	7/16-20 JAM NUT	1
18	TM3380	Presure Plate	1
19	TM-DS-001	Diaphragm Spring	1
20	TM3258	Outer Presurure Plate	1
21	SHB-375-1500	Shoudler Blot	4

## CB-200 ( Diagrpham Spring Clutch Hub)

Used with 780 Renegade Drive Setups.  
Check backing plate for engraved 780 number  
under starter block.



CB-200-exploded view

Clutch Hub Assembly



# TAUER MACHINE

A