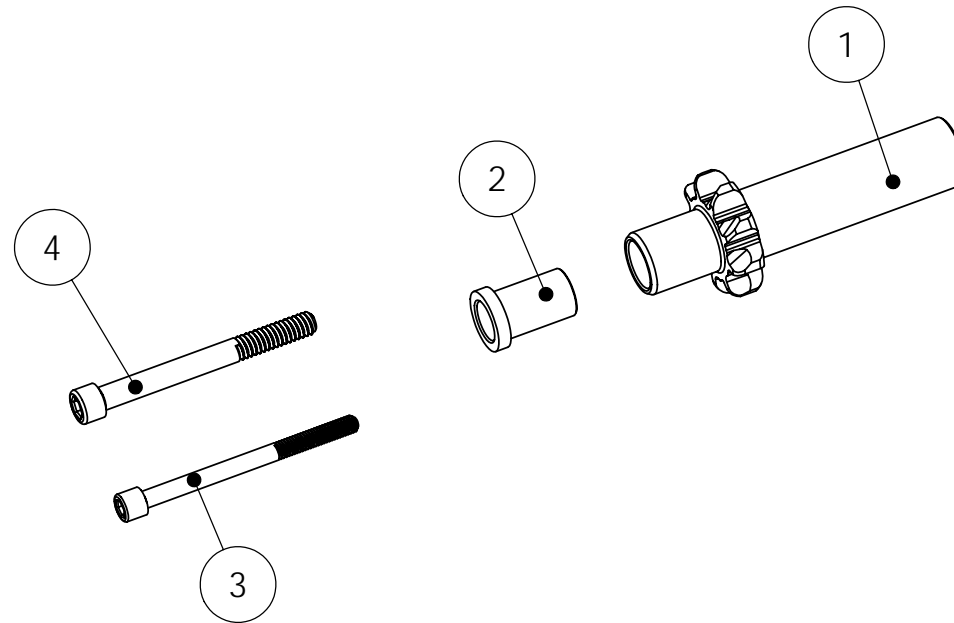


Sheet Name: Sheet1

ITEM NO.	PART NUMBER	DESCRIPTION	QTY.
1	TM3070	STARTER JACK SHAFT	1
2	TM3000	JACKSHAFT STUB	1
3	USH-10-32-2500	Unplated 10-32 x 2.5" LONG	1
4	USH-250-20-2500	Unplated 1/4-20 x 2.5" LONG	1

REVISIONS		DATE	APPROVED
ZONE	REV.	DESCRIPTION	




Folder name: Q:\Companies\Tauer Machine\Tauer Machine Parts\A-ASSEMBLIES\TM3070-K (1-pc Sharter kit)\

PROPRIETARY AND CONFIDENTIAL

THE INFORMATION CONTAINED IN THIS DRAWING IS THE SOLE PROPERTY OF TAUER MACHINE. ANY REPRODUCTION IN PART OR AS A WHOLE WITHOUT THE WRITTEN PERMISSION OF TAUER MACHINE. IS PROHIBITED. This Document can never be sold/transferred for any reason.

Wednesday, February 14, 2007 1:15:00 PM

		UNLESS OTHERWISE SPECIFIED:	NAME	DATE	
		DIMENSIONS ARE IN INCHES	DRAWN	JET	1-10-05
		TOLERANCES:	CHECKED		
		FRACTIONAL ±.030	ENG APPR.		
		ANGULAR: MACH ±1 BEND ±1	MFG APPR.		
		TWO PLACE DECIMAL ±.010	Q.A.		
		THREE PLACE DECIMAL ±.005	COMMENTS:		
		INTERPRET GEOMETRIC TOLERANCING PER:			
		MATERIAL			
NEXT ASSY	USED ON	FINISH			
APPLICATION		DO NOT SCALE DRAWING	Qty per Unit:		



Tauer Machine
1041 South Bend Ave Mankato, MN. 56001

TITLE:
1-pc Starter Jackshaft Assembly
2/14/2007

SIZE A	DWG. NO. TM3070-K	REV
WEIGHT:		SHEET 1 OF 1